

# DJI RONIN 2



## Ultra Lightweight and Strong

The Ronin 2 gimbal is DJI's advanced lightweight and portable stabilized camera movement system designed to maximize shooting time in several different configurations

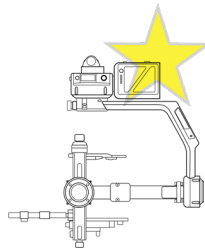
An update from the original Ronin, it has been redesigned to enable easy transition between upright and underslung modes without changing the position of the camera, and is suitable for DSLRs up to cinema size camera packages, boasting a payload capacity of 30 pounds.

Upgraded high-torque motors allow the gimbal to resist high winds and G-forces caused when mounted onto a car, and keep it moving smoothly in flight.

## SPECIFICATIONS

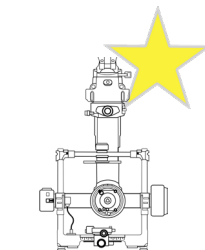
### Dimensions

The minimum width is 13.8" (35 cm) and the minimum depth is 16.4" (41.6 cm). The minimum height is 20.9" (53 cm) underslung. The maximum allowable camera package dimensions are 7.1" (18 cm) wide, 6.5" (16.5 cm) high, and 9.6" (24.5 cm) in depth.



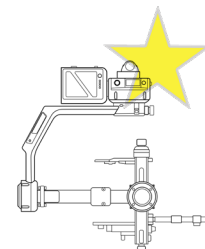
### Weights

The head weighs only 11 lbs (5 kgs) with batteries. It can carry up to 30 lbs (13.6 kgs) max payload.



### Ranges

Axis ranges are 360° continuous pan,  $\pm 135^\circ$  tilt, and  $\pm 30^\circ$  roll. Max pan speed is 400°/sec, and tilt and roll speeds are 360°/sec. Max operating temperature is  $-4^\circ\text{F}$ - $122^\circ\text{F}$  ( $-20^\circ\text{C}$ - $50^\circ\text{C}$ ).



### Technical

The speed advantages of the Ronin 2 system extend to its long-lasting batteries, which can also be quickly hot-swapped to minimize downtime.

CREATIVITY IN REACH<sup>®</sup>

[www.procamrentals.com](http://www.procamrentals.com)

(818) 717-0354

[marketing@procamrentals.com](mailto:marketing@procamrentals.com)

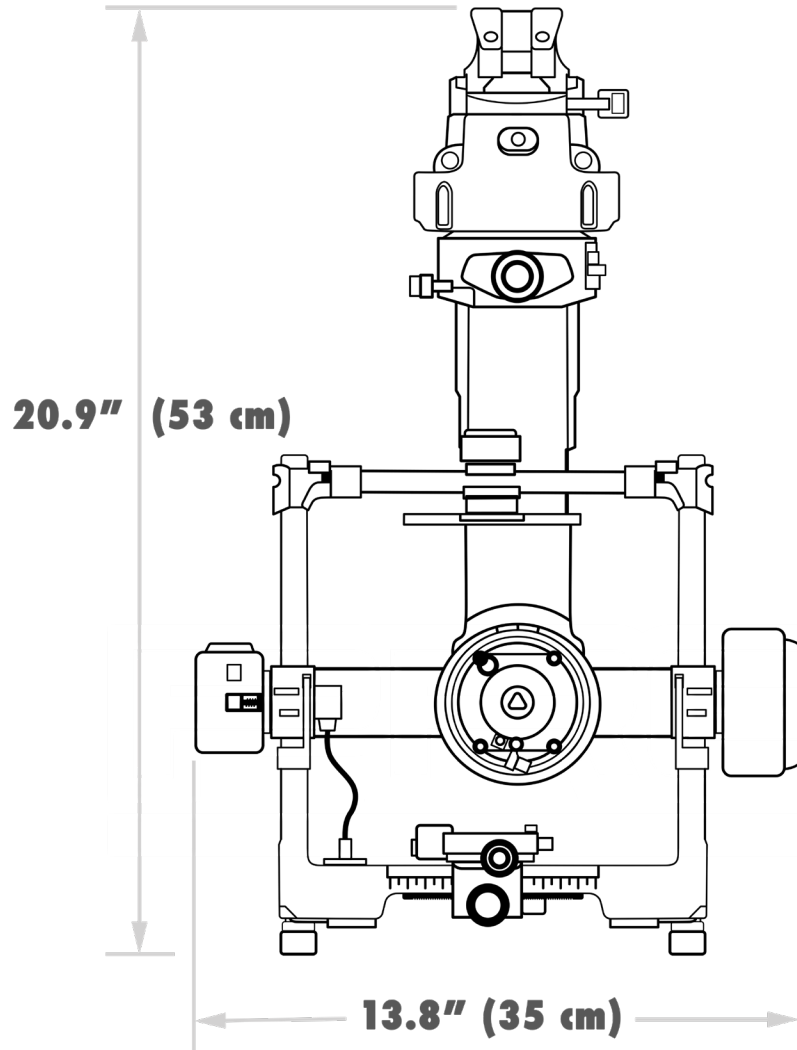


# DJI RONIN 2

STABILIZED | **Yes**  
WEIGHT | **11 lbs (5 kgs)**  
MAX PAYLOAD | **30 lbs (13.6 kgs)**

RANGE | **Pan 360°, Tilt ±135°, Roll ±30°**  
MAX SPEED | **Pan 400°/sec, Tilt/Roll 360°/sec**  
MAX OP TEMP | **-4°F-122°F (-20°C-50°C)**

UNDERSLUNG MIN HEIGHT | **20.9" (53 cm)**  
UNDERSLUNG MIN WIDTH | **13.8" (35 cm)**  
UNDERSLUNG MIN DEPTH | **16.4" (41.6 cm)**



**CAMERA SPACE:**  
**7.1" (18 cm) W**  
**6.5" (16.5 cm) H**  
**9.6" (24.5 cm) D**

