

MATRICE M600 DRONE



Medium Lifter UAS

The Matrice M600 sets the standard in the medium size UAS category, capable of 11-15 minutes of flight time while carrying mid-size payloads.

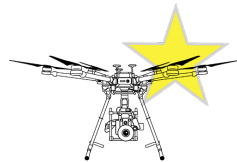
Many filmmakers choose to use the Matrice M600 drone because of the impressive maneuverability and efficiency that the drone offers while still offering a maximum takeoff carrying-weight of 33 pounds, including a camera/gimbal payload of up to 13.2 pounds.

With the payload flexibility of the Matrice M600, operators can film 360 Virtual Reality, DSLR, and other medium format cinema-camera packages with a prime lens on the Ronin-MX gimbal.

SPECIFICATIONS

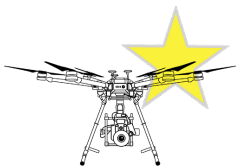
Dimensions

From propellers' tip to tip, the aircraft measures 66 inches (167.6 cm) long by 60 inches (152.4 cm) wide, and 30 inches (76.2 cm) tall.



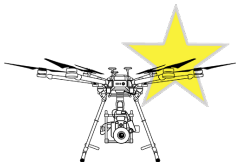
Weights

The aircraft's empty weight is 12.2 lbs (5.53 kgs). Batteries weigh 7.9 lbs (3.58 kgs), and can carry up to 13.2 lbs (6 kgs) payload. Max takeoff weight is 33.3 lbs (15 kgs).



Ranges

Depending on mission activity, the aircraft flight time ranges from 11-15 minutes at max takeoff weight. It can reach a max cruise speed of 35 kts (40 mph). Its max visual line of sight flight range is 2 miles. It can fly in up to 16 kts (18 mph) wind.



Payload

To maximize flight time and image quality on most low altitude missions, we recommend attaching a DSLR or Black Magic camera with a lightweight zoom to the Ronin-MX Gimbal. This aircraft also offers a payload release system.

CREATIVITY IN REACH®

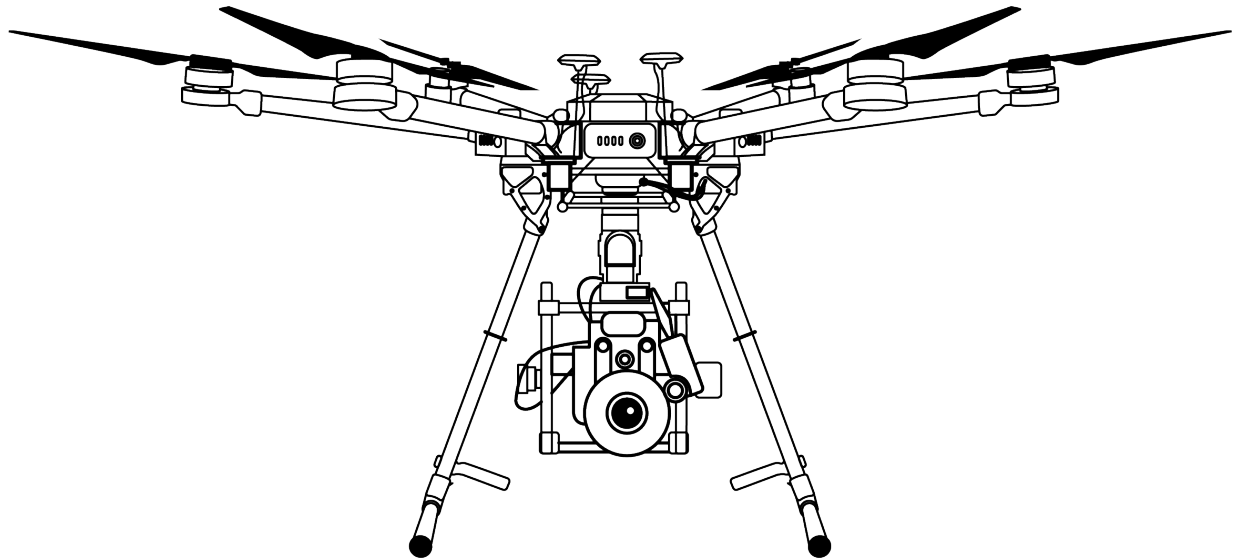
www.procamrentals.com

(818) 717-0354

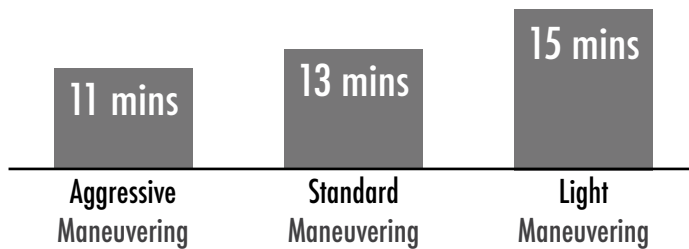
marketing@procamrentals.com



MATRICE M600 DRONE



FLIGHT TIMES



WEIGHTS

Aircraft Empty Weight	12.2 lbs
Power (4x 4-pound batteries)	7.9 lbs
Payload* (Gimbal/Camera/Lens/Accessories)	13.2 lbs

* Weight shown is based on manufacturer's maximum takeoff weight. Within the United States, FAA regulations restrict all UAS flight operations from exceeding 55 total pounds.

DIMENSIONS

Length	65.67 in
Width	59.76 in
Height	29.88 in

PERFORMANCE & LIMITATIONS

Cruise Speed	35 kts / 40 mph
Do Not Exceed Speed	43 kts / 50 mph
Rate of Climb/Descent	984 ft / min
Minimum Landing Zone Area	8 sq ft
Minimum Operating Temperature	14 deg F
Maximum Operating Temperature	104 deg F
Maximum Range	2-3 miles VLOS
Maximum Endurance	18 mins
Maximum Ceiling	8,202 ft MSL
Maximum Wind Resistance	16 kts / 18 mph
Maximum Takeoff Weight	33.3 lbs
Maximum Yaw Angular Velocity	150 deg / sec
Maximum Tilt Angle	25 deg
Maximum Amperage Draw	100 A

FLIGHT CREW REQUIREMENTS

1. Remote Pilot In Command
2. Aerial Camera Operator
3. UAS Technician

* Our flight crews are trained, certified, and endorsed for each position.

RONIN-MX GIMBAL

STABILIZED | **Yes**
WEIGHT | **4.74 lbs (2.15 kgs)**
MAX PAYLOAD | **10 lbs (4.5 kgs)**
RANGE | **Pan $\pm 360^\circ$, Tilt $-150^\circ/+270^\circ$, Roll $\pm 110^\circ$**
MAX SPEED | **Pan: 200°/s, Tilt: 100°/s, Roll: 30°/s**

OPERATING TEMPERATURE | **5°F ~ 120°F (-15°C ~ 50°C)**
UNDERSLUNG MIN HEIGHT | **17.3" (44 cm)**
UNDERSLUNG MIN WIDTH | **22" (56 cm)**
UNDERSLUNG MIN DEPTH | **14.6" (37 cm)**

