

# PATRIOT ELECTRIC CAR

## Fast, Versatile, Safe

Patriot Cars are known for their versatility and have become the standard for safety, and easy integration with Scorpio 10' telescoping crane arm, vertical sliders, remote heads, Steadicams, and hard-mounted cameras.

Both the Patriot Classic and the Patriot Mini can travel up to 40 miles before battery charging is necessary.

The Patriot is distinct from other electric cars because it has an unloaded top speed of 50 mph.

The Patriot Mini can accommodate tight locations, such as sidewalks, traffic lanes, interior sets, elevators, and hallways.

## SPECIFICATIONS

### Dimensions

The Classic is 9'6" (2.89 m) long and 5' (1.52 m) wide, with a 2'6" (0.76 m) deck height. The compact Mini is 6' (1.83 m) long and 3'2" (0.97 m) wide, with a 2'2" (0.66 m) deck height.

### Weights

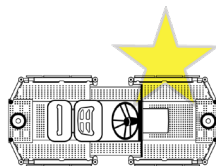
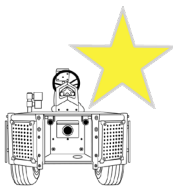
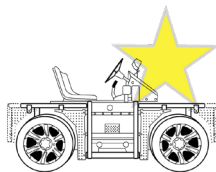
The Classic weighs 1,400 lbs (635 kgs) and can tow 5,000 lbs (2,268 kgs) at 25 Mph. The Mini weighs 900 lbs (408 kgs) and can tow 3,000 lbs (1,361 kgs) at 25 Mph.

### Ranges

Both the Classic and Mini have a range of 40 miles (64 kilometers) on a single battery charge. The Classic can hit 30 mph unloaded, in just 2.8 seconds. The max speed is 50 mph for the Classic and 40 mph for the Mini.

### Accessories

A variety of camera remote systems can be mounted, including Scorpio 10' cranes, jibs, vertical sliders, stabilized remote heads, and Steadicams. HME wireless headsets offer clear communications to improve operational safety.



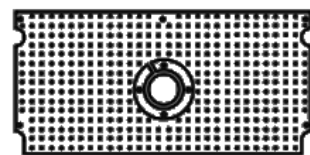
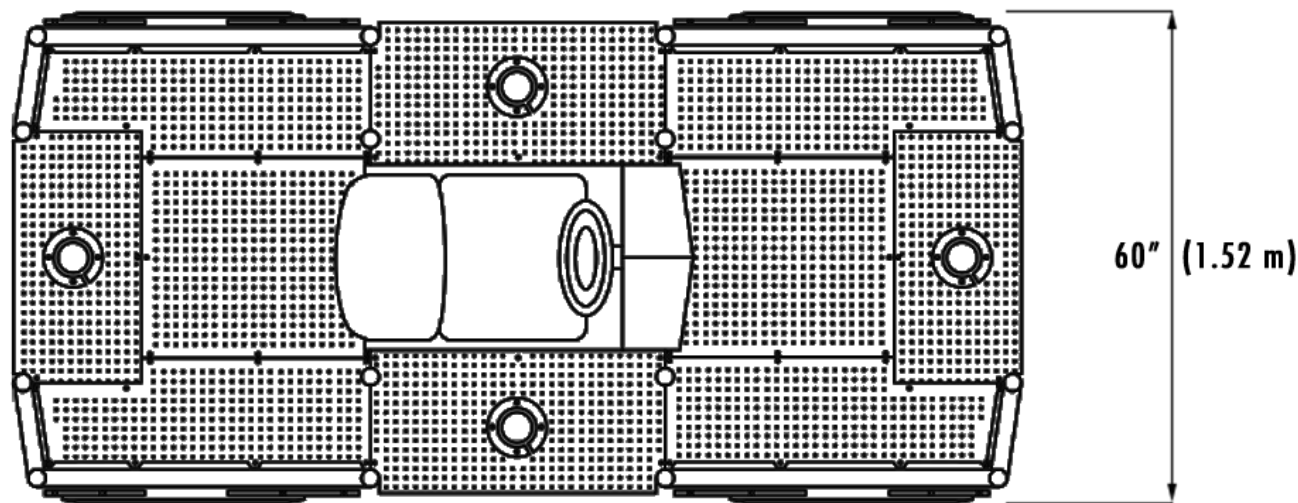
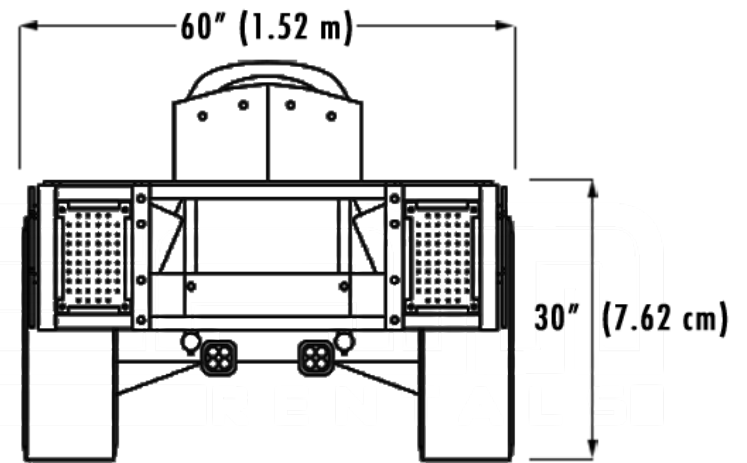
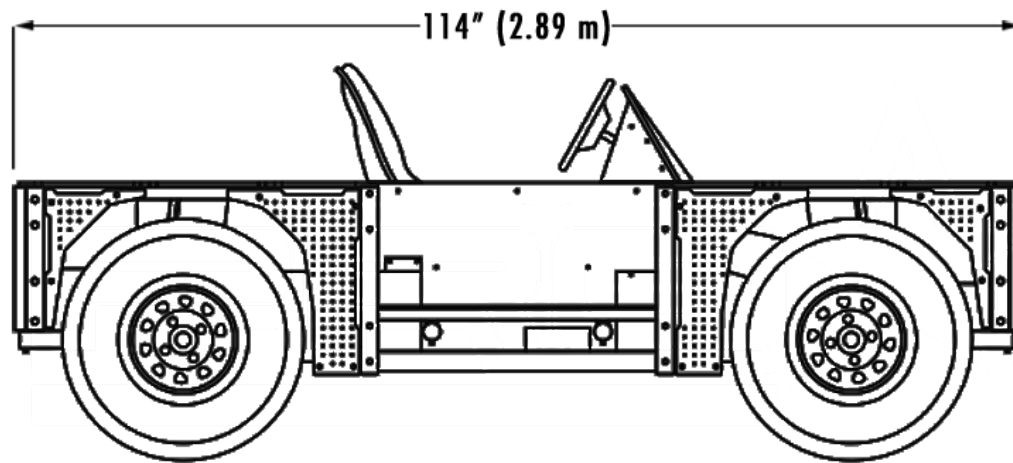
CREATIVITY IN REACH®

[www.procamrentals.com](http://www.procamrentals.com)

(818) 717-0354

[marketing@procamrentals.com](mailto:marketing@procamrentals.com)

# PATRIOT CAR CLASSIC



← REMOVABLE CAMERA MOUNT PLATES

# PATRIOT CAR MINI

