

SCORPIO V

Faster, Easier and Effective

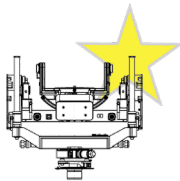
Building on the principles and engineering of the Scorpio Classic, the design and capabilities of the new gyros, new mechanics and new software makes the Scorpio V faster, easier, and more effective. Faster in terms of pan speeds with HD slip rings and the speed of adjustment to head size and configuration. Easier to control stability, drift, and horizon with tech-friendly usability.

The Scorpio V's effective level of stabilization incorporates new mechanics and electronics designed to detect a broad range of frequencies of vibrations and with enough speed to correct faster than other heads.

SPECIFICATIONS

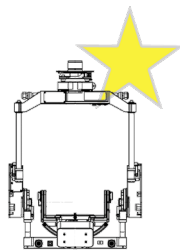
Dimensions

The minimum width is 25" (64 cm) and the minimum depth is 20" 3/4 (52.7 cm). The minimum height is 35" 5/16 (89.7 cm) underslung, and 22" 7/8 (58 cm) overslung.



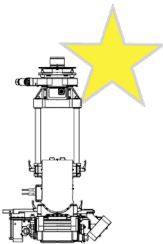
Weights

The head weighs 72 lbs (33 kgs), and the iso-damp weighs 10 lbs (4.5 kgs) for a total weight of 82 lbs (37.5 kgs). It can carry up to 100 lbs (45 kgs) max payload.



Ranges

Axis ranges are $\pm 360^\circ$ pan and $\pm 270^\circ$ tilt. Max pan and tilt speed is 360°/ 2.8 sec.



Technical

It offers a full size frame for quick and easy camera installation with little limitation with larger payloads, programmable limits, backpan compensation, wireless capability, and motion repeatability (even in stabilization mode).

CREATIVITY IN REACH[®]

www.procamrentals.com

(818) 717-0354

marketing@procamrentals.com



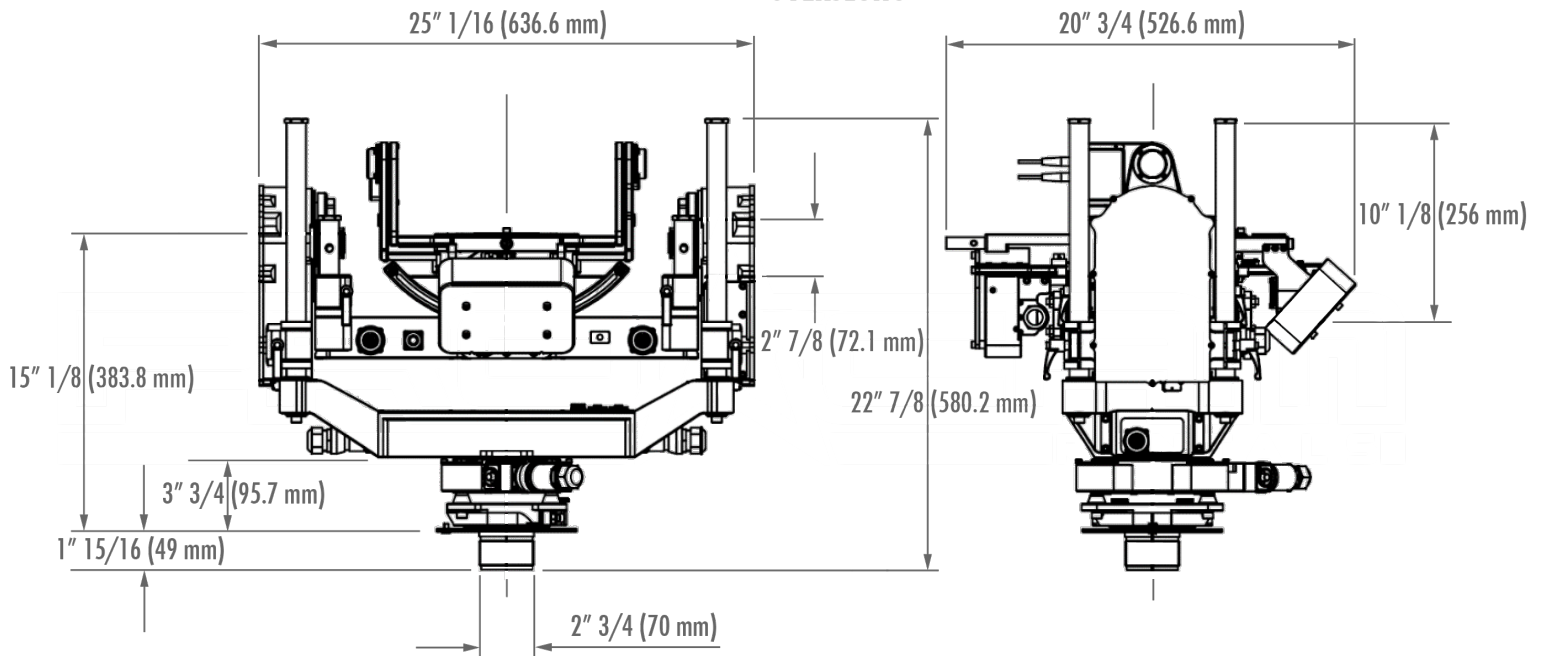
SCORPIO V



STABILIZED Yes
WEIGHT 72 lbs (33 kgs)
MAX PAYLOAD 100 lbs (45 kgs)
RANGE Pan 360°, Tilt 270°
MAX SPEED 360° / 2.8 sec

UNDERSLUNG MIN HEIGHT 35" 5/16 (89.7 cm)
UNDERSLUNG MIN WIDTH 25" (64 cm)
UNDERSLUNG MIN DEPTH 20" 3/4 (52.7 cm)
OVERSLUNG MIN HEIGHT 22" 7/8 (58 cm)
OVERSLUNG MIN WIDTH 25" (64 cm)
OVERSLUNG MIN DEPTH 20" 3/4 (52.7 cm)

OVERSLUNG



UNDERSLUNG

