

SCORPIO V MINI

A New Level of Stabilization

The Scorpio V Mini stabilized head sets a new level of stabilization in the small size and weight category.

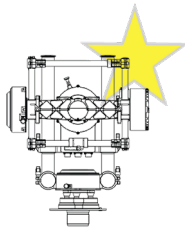
Building on the principles and engineering of the Scorpio V stabilized head, the design and capabilities of the new gyros and mechanics, combined with new software makes this head small and light with strong stabilization and capacity.

The Scorpio V Mini's stabilization is designed to detect a broad range of frequencies of vibrations and with enough speed to correct faster than other heads.

SPECIFICATIONS

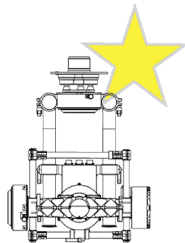
Dimensions

The minimum width is 18" (45 cm) and the minimum depth is 19" (48 cm). The minimum height is 21" (54 cm) underslung, and 19" (48 cm) overslung.



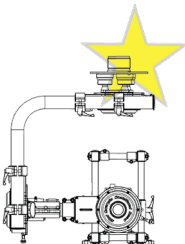
Weights

The head weighs 30 lbs (13.6 kgs), and the iso-damp weighs 10 lbs (4.5 kgs) for a total weight of 40 lbs (18 kgs). It can carry up to 45 lbs (20 kgs) max payload.



Ranges

Axis ranges are $\pm 360^\circ$ pan, $\pm 360^\circ$ tilt (limited by payload), and $\pm 45^\circ$ roll. Max pan, tilt, and roll speed is $360^\circ/2$ sec.



Technical

It can be controlled using handwheels, a joystick, or a pan bar. It is possible to program repeatable movements, limits, dampening, and speed adjustments for all axes.

CREATIVITY IN REACH[®]

www.procamrentals.com

(818) 717-0354

marketing@procamrentals.com

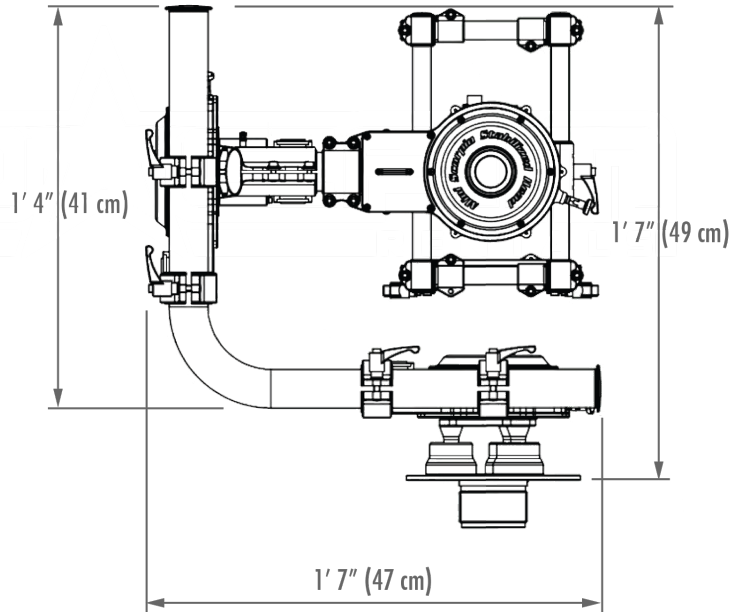
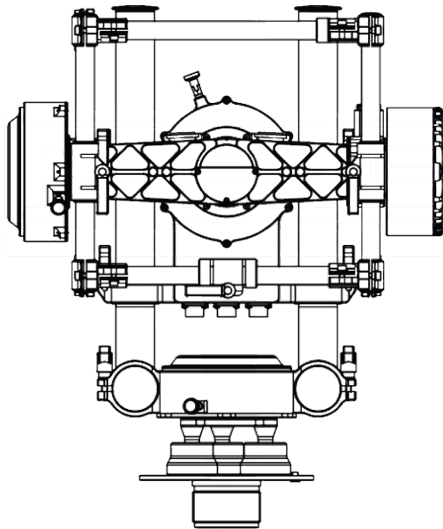


SCORPIO V MINI

STABILIZED	Yes
WEIGHT	30 lbs (13.6 kgs)
MAX PAYLOAD	45 lbs (20 kgs)
RANGE	Pan/Tilt $\pm 360^\circ$, Roll $\pm 360^\circ$
MAX SPEED	Pan/Tilt/Roll $360^\circ / 2$ sec

UNDERSLUNG MIN HEIGHT	21" (54 cm)
UNDERSLUNG MIN WIDTH	18" (45 cm)
UNDERSLUNG MIN DEPTH	19" (48 cm)
OVERSLUNG MIN HEIGHT	19" (48 cm)
OVERSLUNG MIN WIDTH	18" (45 cm)
OVERSLUNG MIN DEPTH	19" (48 cm)

OVERSLUNG



UNDERSLUNG

