

E-SCORPION

Electric All-Terrain Crane Vehicle

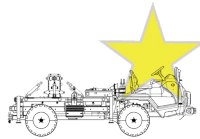
The e-Scorpion is a compact all-terrain electric vehicle designed to carry the Scorpio 45' or the Scorpio 38' to hard-access locations or any other location where the noise and the smoke emissions are not allowed, while saving on additional labor and costing a fraction of the time.

It has been designed considering the compatibility with the Scorpio equipment and the comfort of the technician, the operator and the driver. The e-Scorpion is a safe and reliable solution for filming in remote locations that would be unreachable with a standard push chassis.

SPECIFICATIONS

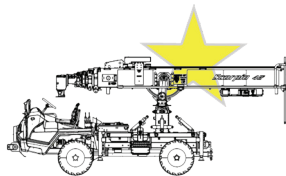
Dimensions

The e-Scorpion base is 14'9" (4.5 m) long, 6' (1.83 m) wide, and 5'6" (1.68 m) tall (without crane mounted).



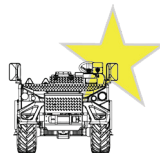
Weights

The e-Scorpion base weighs 5,510 lbs (2,500 kgs) without a crane mounted on it. Max fully loaded weight with Scorpio 45' is 10,000 lbs (4,556 kgs).



Ranges

Post offers two telescopic hydraulic column sections with 2'5" (76 cm) of telescope. Maximum bank angle with mounted crane is $\pm 13^\circ$.



Technical

The Scorpio 45' and Scorpio 38' can be mounted on this base either on set or at our shop prior to the shoot day. Additional HME wireless headsets offer clear communications to improve operational safety.

CREATIVITY IN REACH®

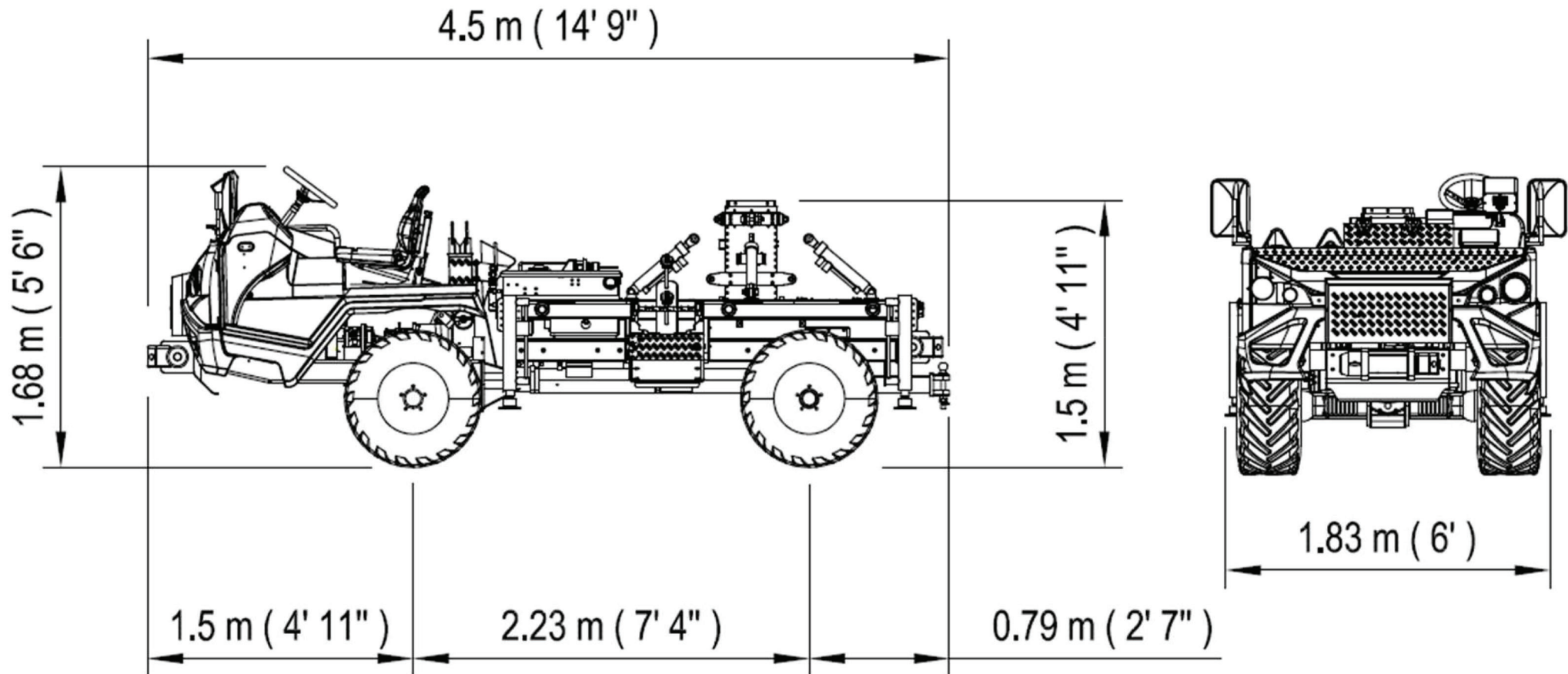
www.procamrentals.com

(818) 717-0354

marketing@procamrentals.com

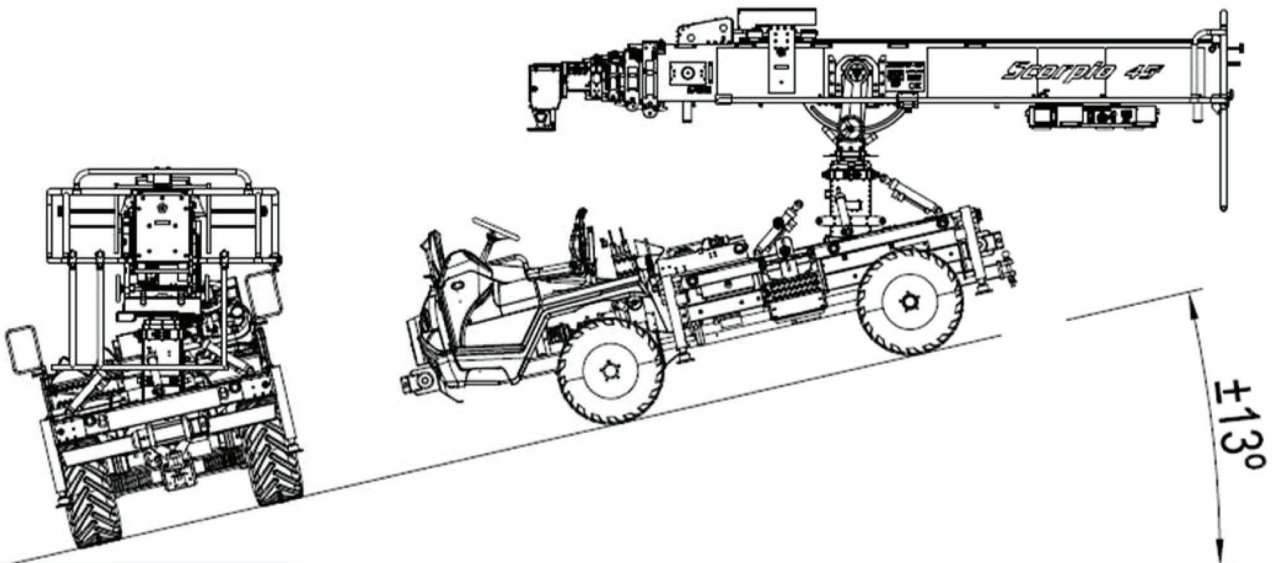
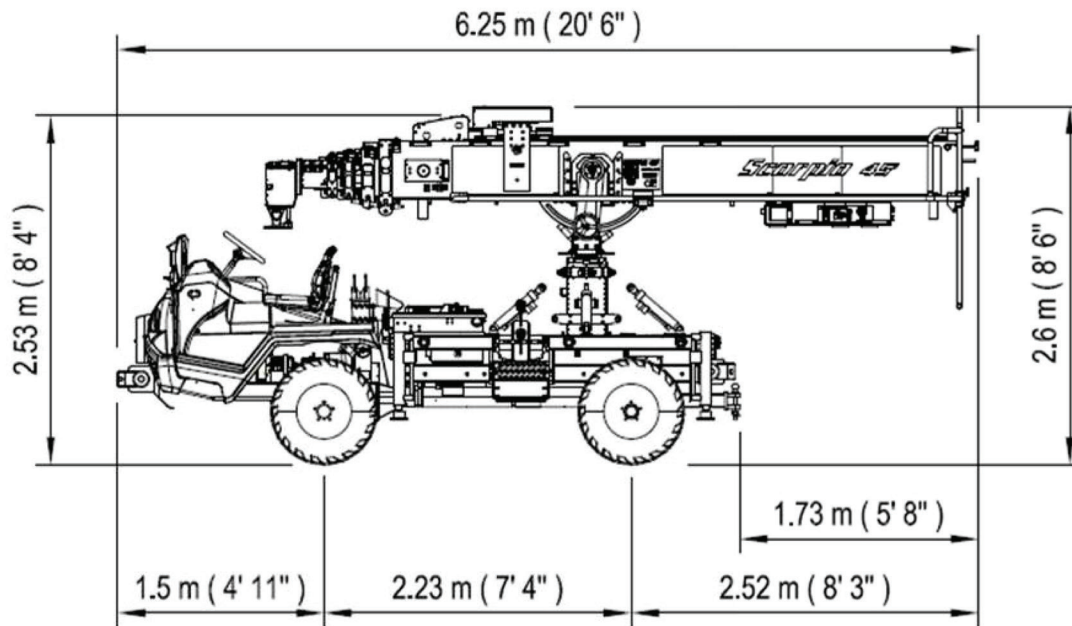
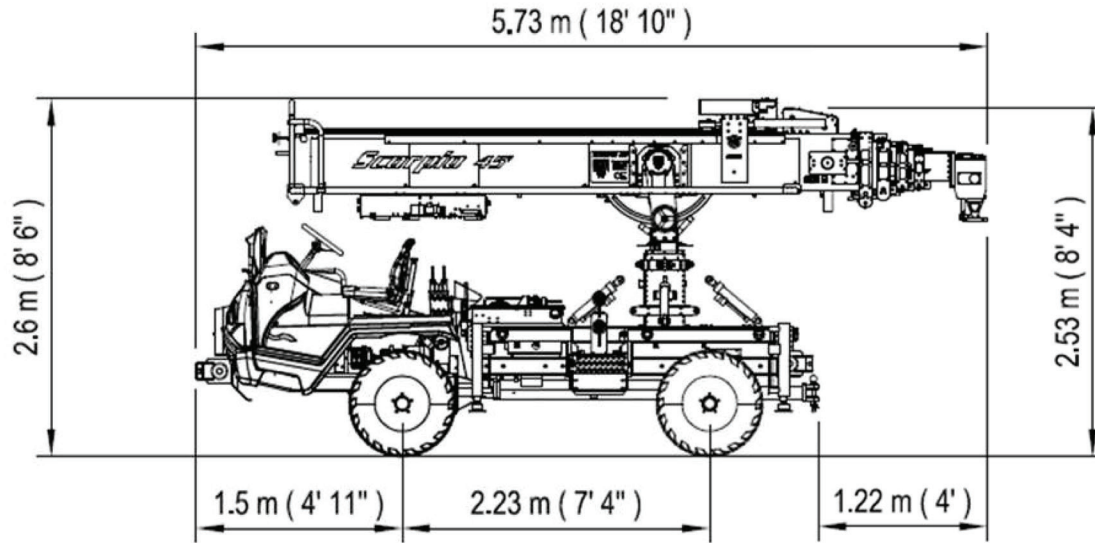


E-SCORPION



E-SCORPION

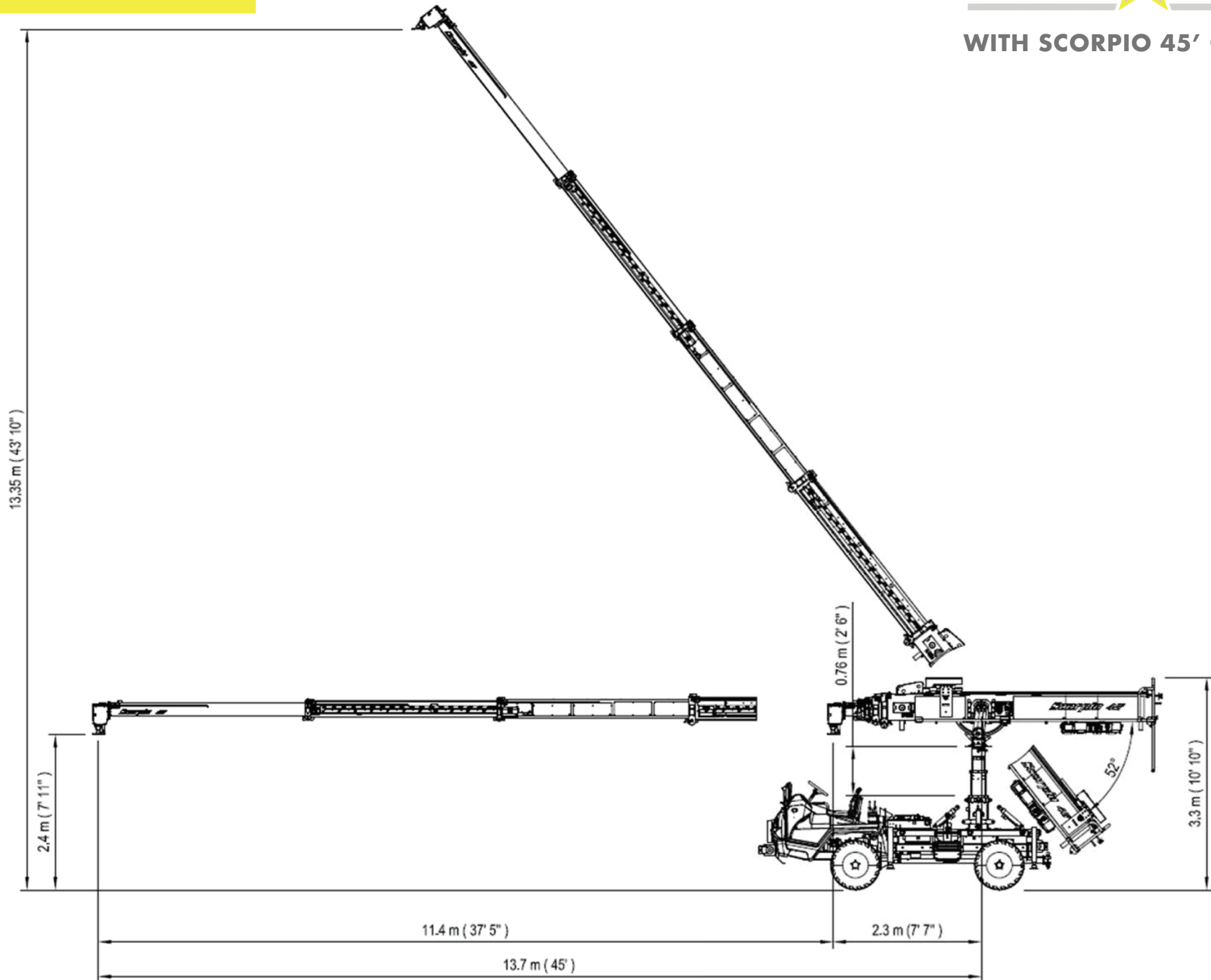
WITH SCORPIO 45' CRANE



E-SCORPION



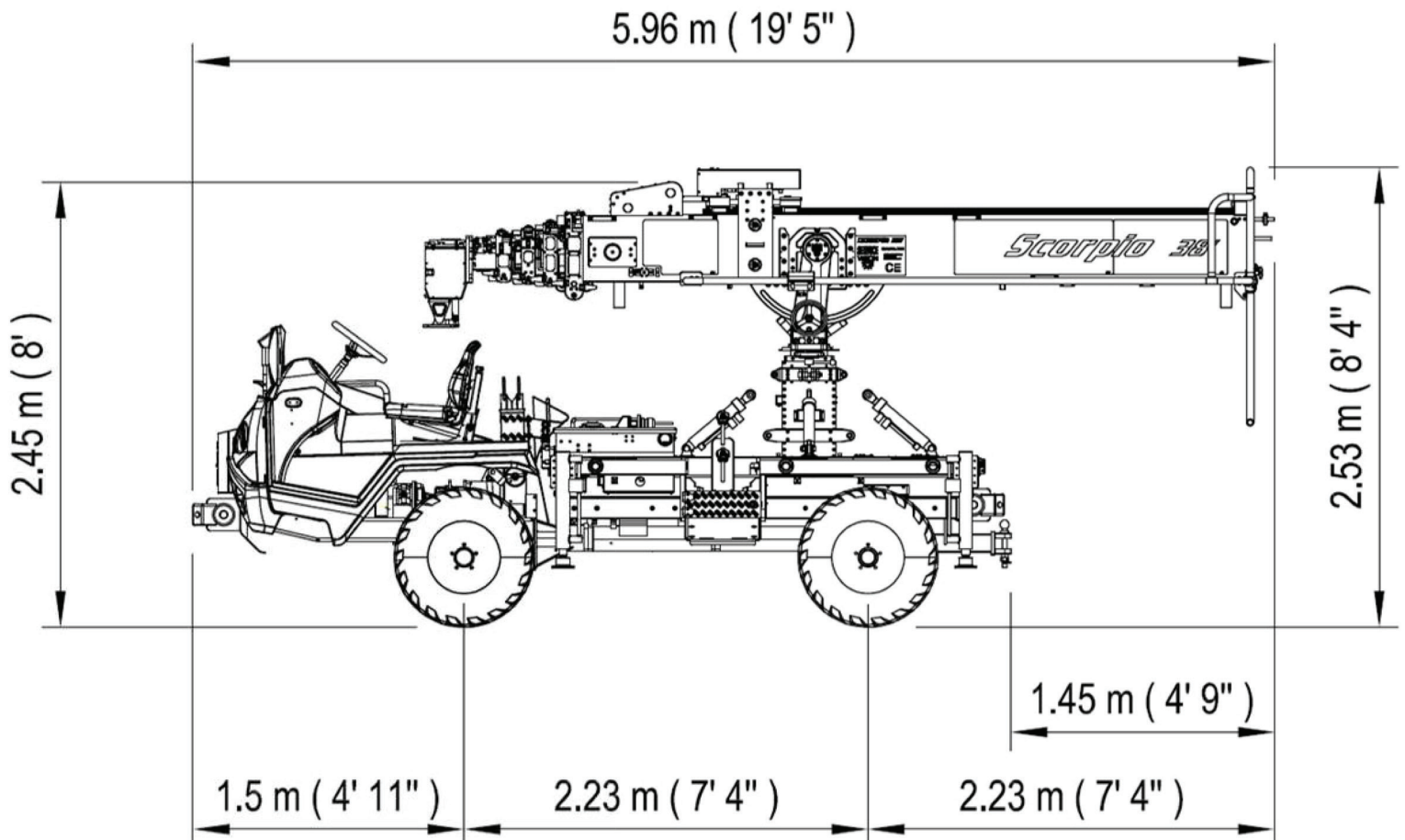
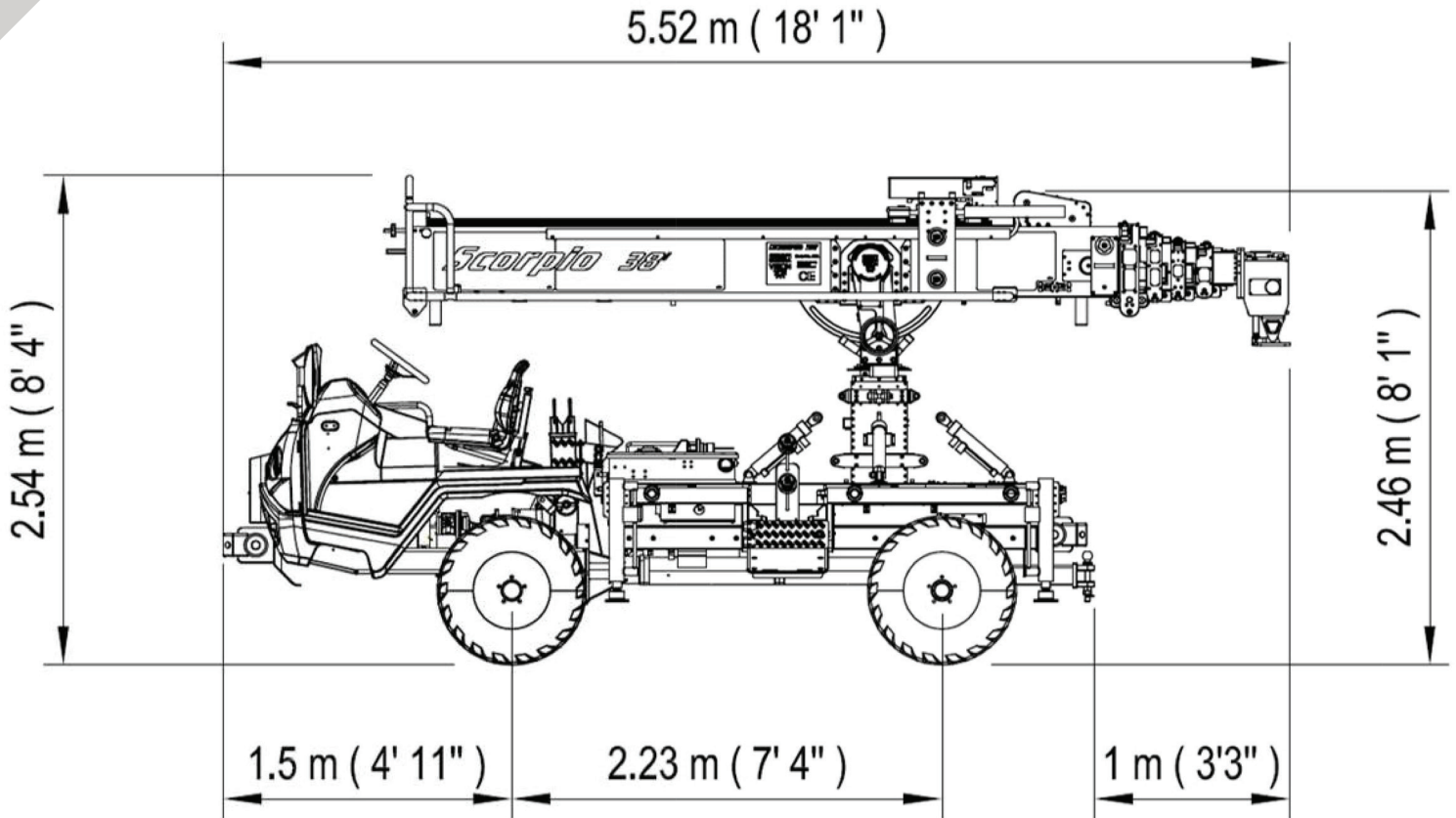
WITH SCORPIO 45' CRANE



E-SCORPION



WITH SCORPIO 38' CRANE



E-SCORPION



WITH SCORPIO 38' CRANE

