

DACTYLCAM PRO



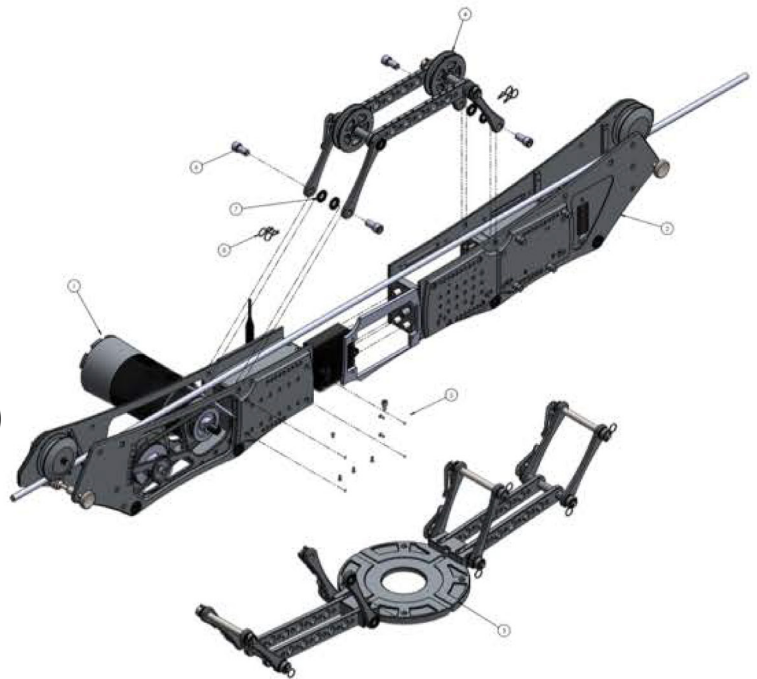
FEATURES

- Carries payloads up to 100 lbs
- Speeds up to 35 mph
- Up to 10 hrs of run time
- Digital Programmability for end-stop control
- Takeoff, deceleration, top speed & brake control
- Active traction control reduces drive wheel slip
- 4 Pin XLR output on bottom
- 8 D-taps built into sled
- Mitchell mount with extended arms
- Pulse controller for wireless programming
- Gain control for fine tuning power requirements



SPECIFICATIONS

- Maximum Payload: 100 lbs | 45 Kgs
- Maximum Speed: 35 mph | 56 kph
- Power input: Dual 48V Li-Ion pack, 11.5 Ah
- Accessory power: 24v Li-Ion pack, 9th
- Camera Mount: Standard Mitchell
- Wireless Frequency: 915mhz or 868mhz
- Max Wireless Distance (line of sight): 2,500 ft
- Max Degree of climb: 10 degrees
- Operating Temperature: -4° to 104° F (-20° to 40° C)
- Max Line Length: 2,500 ft (Line Manufacturer Dependant)
- D-tap output voltage: 14.8v nominal | 10 amp max
- (Optional) 4 Pin XLR output voltage: 24v | 30 amp



PULSE CONTROLLER

- Ergonomically designed and weighted for hand-held use
- Desktop or stand-mounted operation
- Wireless long range module: 915mhz or 868mhz
- Programming for autonomous end stop control
- Acceleration, deceleration and top speed programming
- Display shows position of system on line and system health
- Battery voltage, mode selection, traction control
- Brake control and smoothing
- Joystick sensitivity and direction settings
- Upgradeable to license band radio
- Optional foot pedals available
- 10 hour battery life

